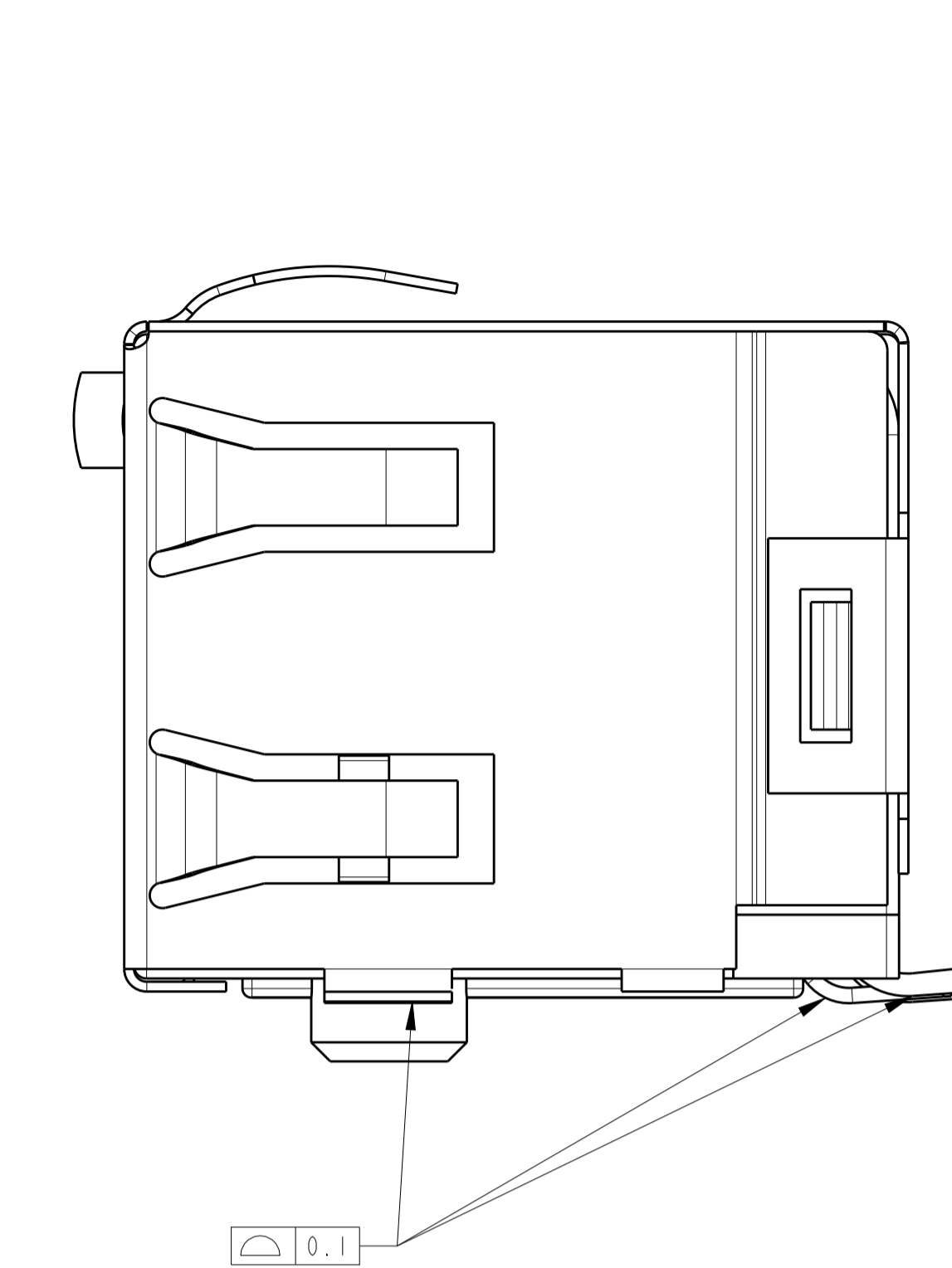
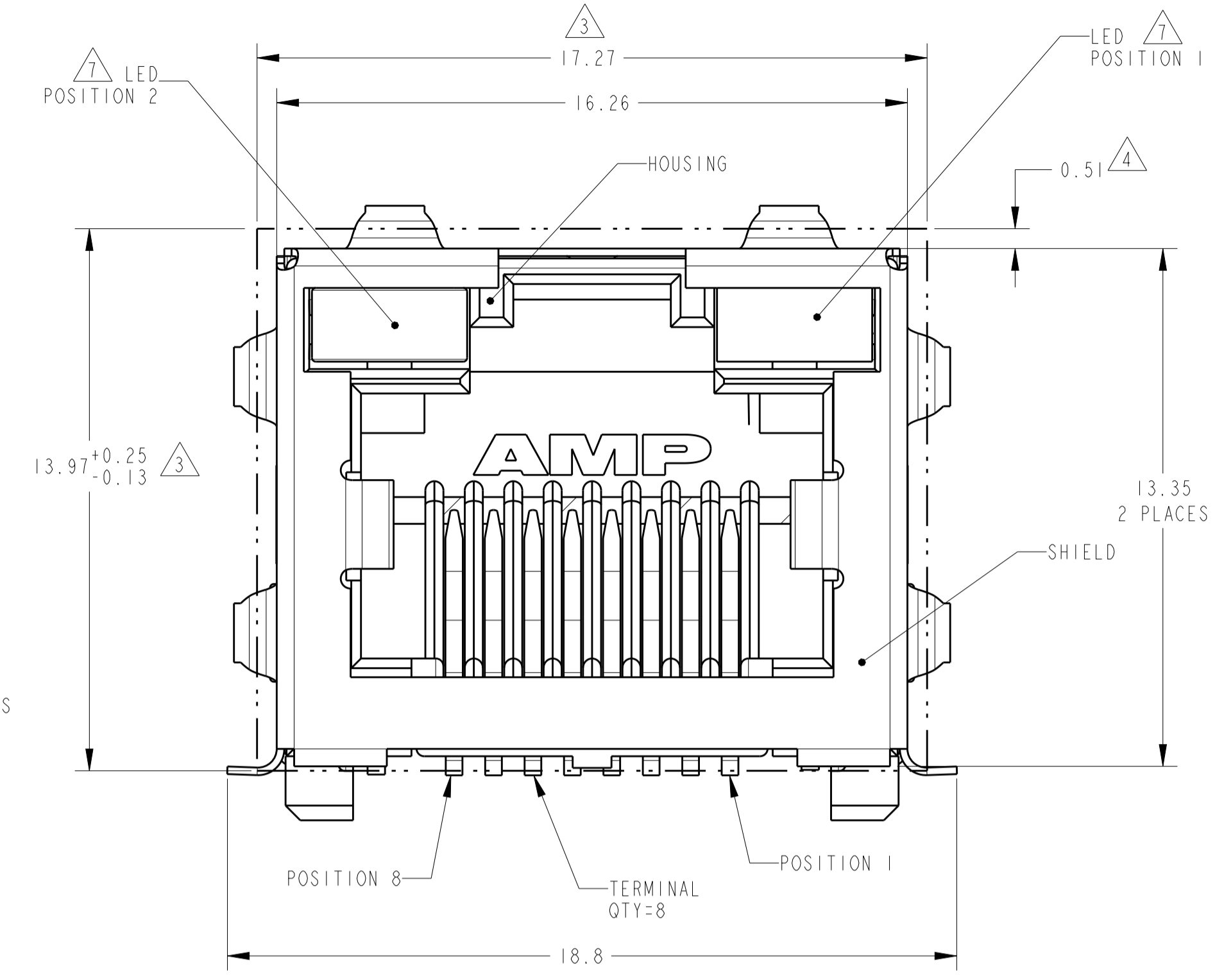
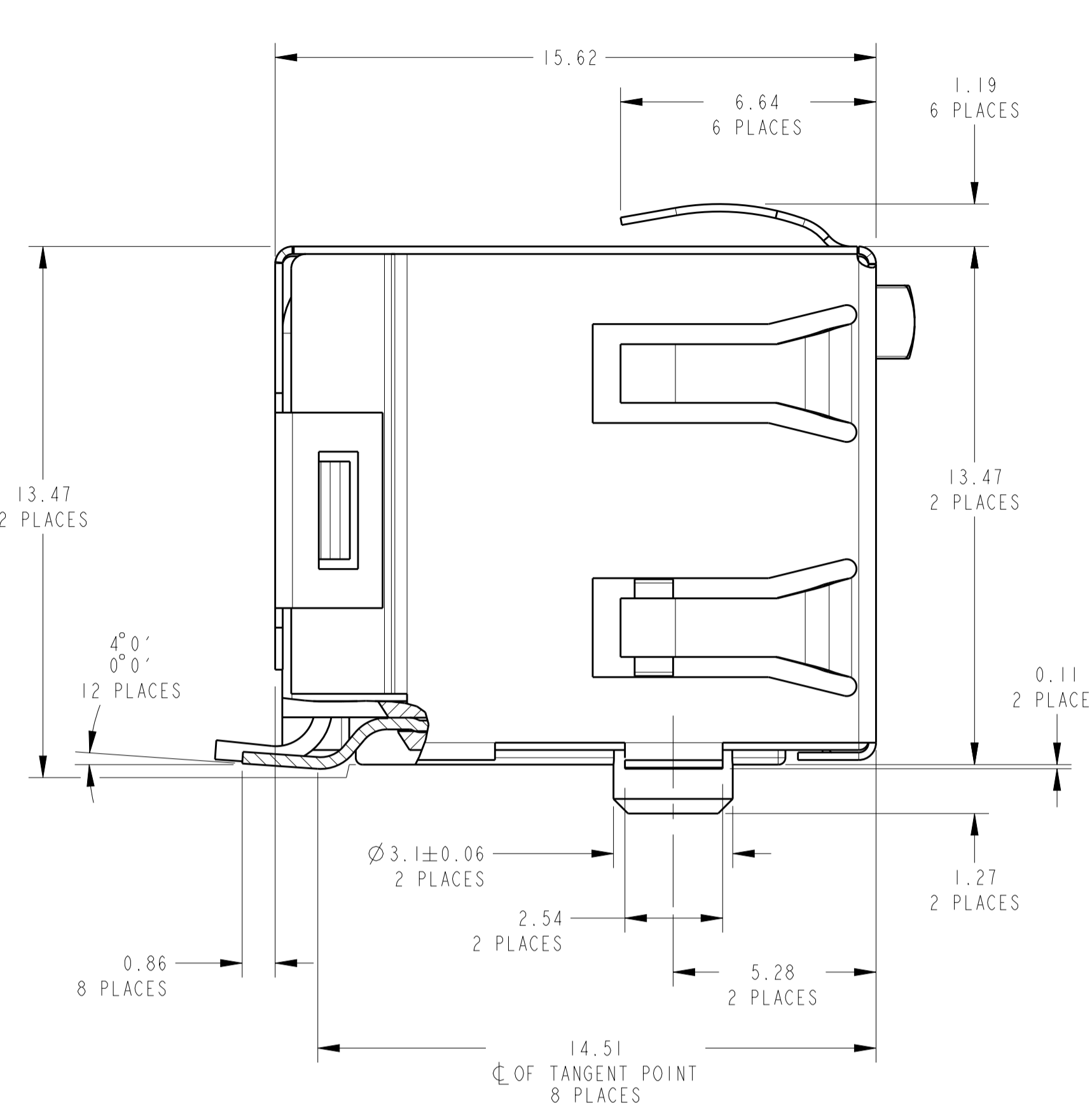
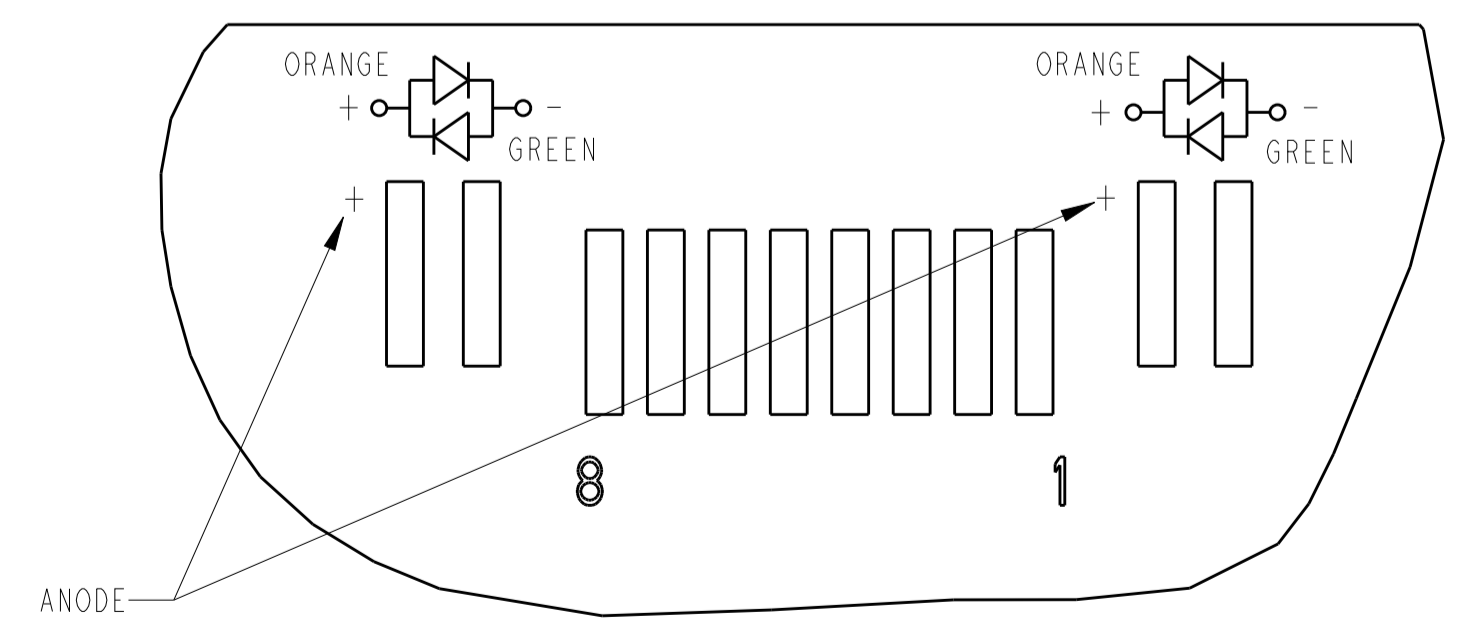
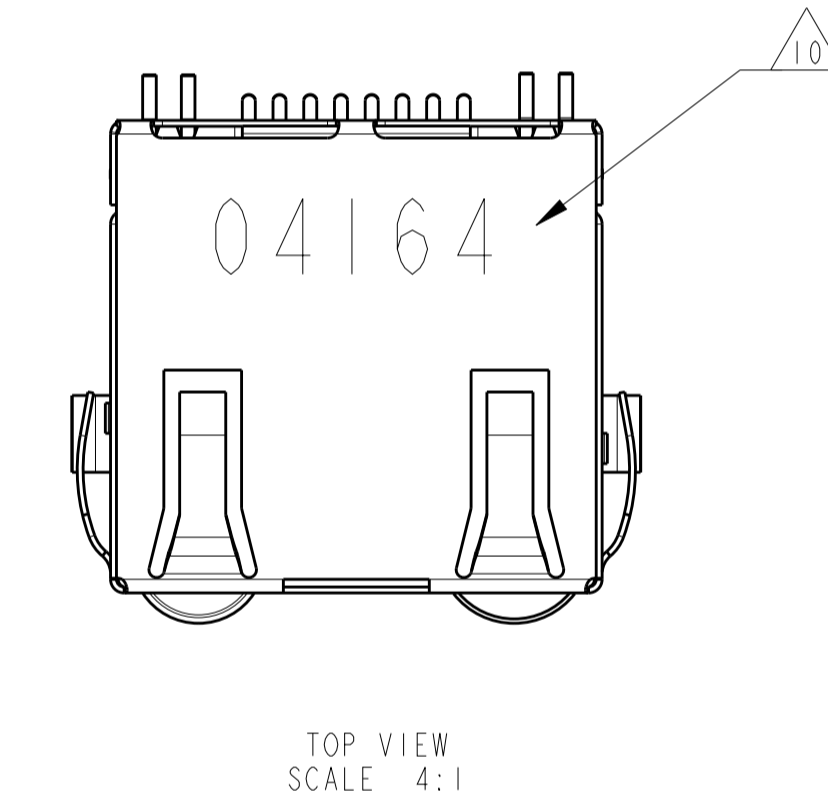
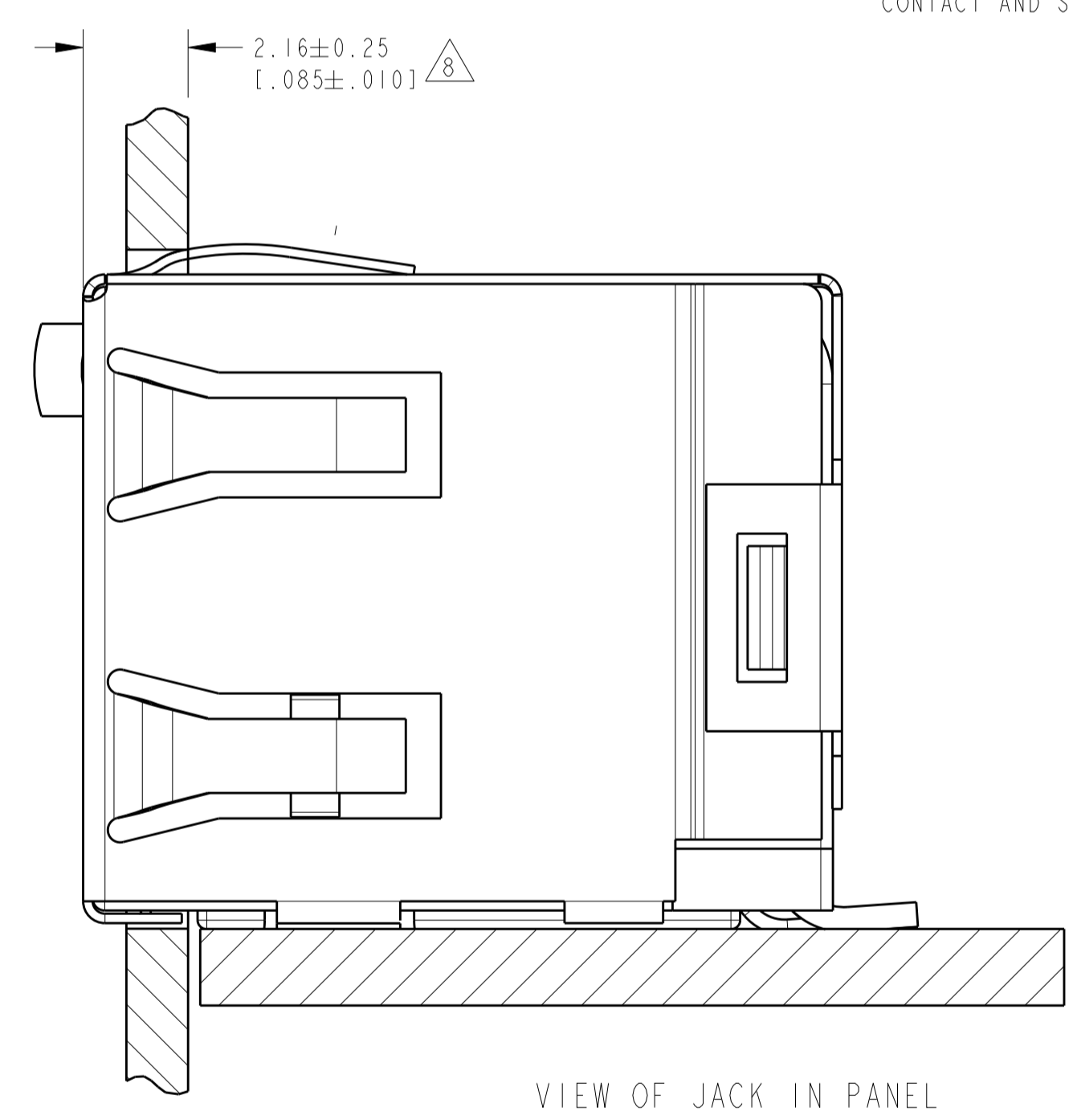
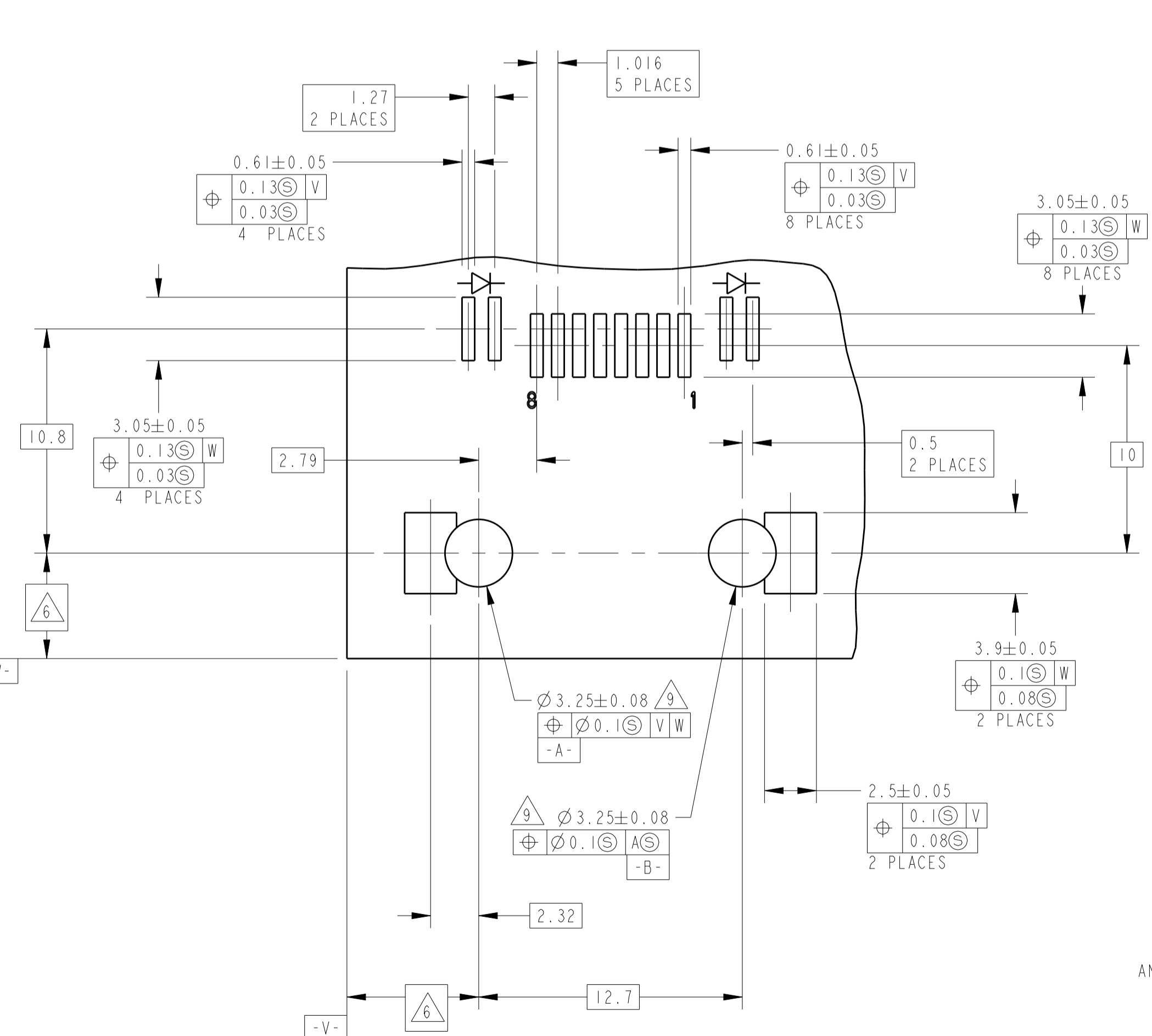


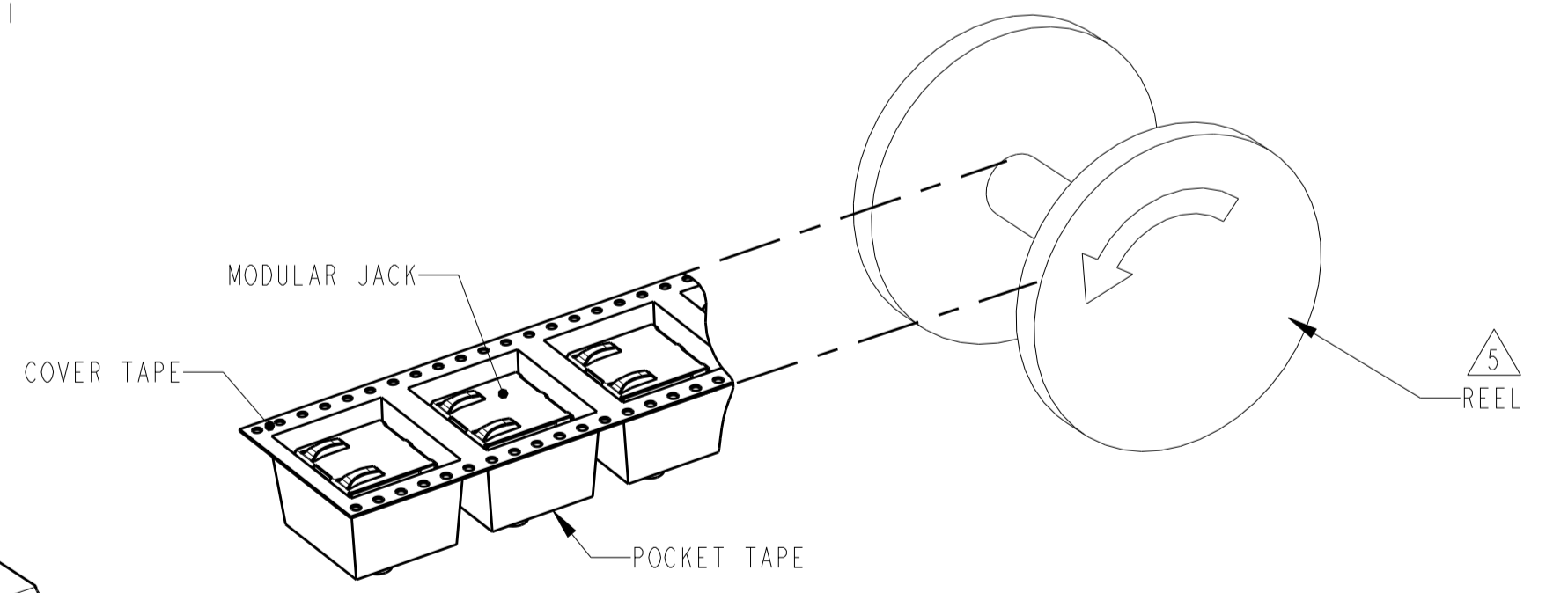
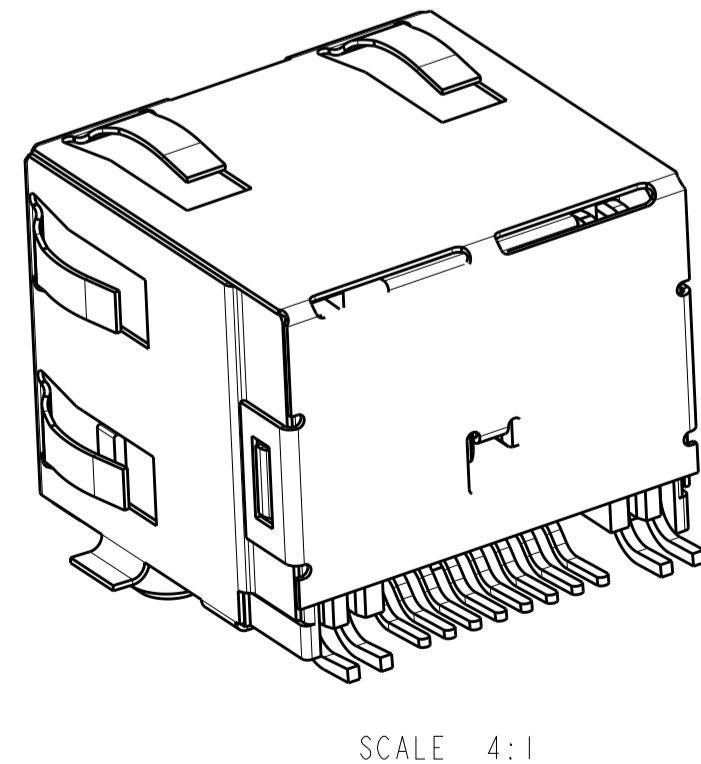
LOC	DIST	REV	DESCRIPTION	DATE	OWN	APPV
IR	-	E	HOUSING RAW MATERIAL CHANGED TO LCP	18NOV2011	PS	RRP
		E2	ECO-16-008897	14JUN2016	AD	SH



- MATERIAL:
  - HOUSING - HIGH TEMP THERMOPLASTIC - LCP, BLACK, UL94V-0
  - TERMINALS - 0.30 THICK PHOS BRONZE PLATED WITH 3.81µm MINIMUM THICK MATTE TIN IN SOLDER AREA. 1.27µm MINIMUM GOLD IN LOCALIZED PLATE AREA. ENTIRE TERMINAL PLATED WITH 1.27µm MINIMUM THICK NICKEL.
  - SHIELD - 0.196 THICK COPPER ZINC ALLOY PREPLATED WITH 2.03µm-3.81µm THICK MATTE TIN OVER 1.27µm THICK NICKEL.
  - LIGHT EMITTING DIODE (LED) -- DIFFUSED EPOXY LENS, 0.51 X 0.51 (.020 X .020) CARBON STEEL WIREFRAME LEADS PREPLATED WITH 8.89 µm (.00080) THICK Ag OVER 1.02 µm (.00040) THICK Cu OVER 3.56 µm (.00140) THICK Ni OVER 1.02 µm (.00040) Cu UNDERPLATE.
- JACK CAVITY CONFORMS TO FCC RULES AND REGULATIONS PART 68, SUBPART F
- SUGGESTED PANEL OPENING DIMENSIONS. SEE APPLICATION SPEC 114-2154 FOR PANEL THICKNESS AND POSITION RECOMMENDATIONS
- SUGGESTED CLEARANCE BETWEEN TOP OF CONNECTOR AND TOP PANEL OPENING
- PACKAGED: POCKET TAPE & REEL (PER EAI 481 SPECIFICATIONS)
  - POCKET TAPE WIDTH - 44mm
  - POCKET PITCH - 24mm
  - POCKET DEPTH - 16.7mm
  - CLEAR COVER TAPE, PSA
  - CLEAR COVER TAPE TRAILER - 610mm, WRAPPED ON REEL HUB
  - PLASTIC REEL - 381mm DIAMETER
  - PRODUCT QUANTITY - 200 PIECES PER REEL



BI-COLOR LED SCHEMATIC FOR 2-6339191-2 ONLY SCALE 8:1



POSITION 2	POSITION 1	PART NUMBER
GREEN	ORANGE	4-6339191-1
YELLOW	GREEN	3-6339191-1
RED	GREEN	2-6339191-3
ORANGE/GREEN	ORANGE/GREEN	2-6339191-2
GREEN	ORANGE	2-6339191-1
GREEN	GREEN	6339191-5
GREEN	YELLOW	6339191-4
YELLOW	GREEN	6339191-1

SUGGESTED PCB LAYOUT (COMPONENT SIDE)

THIS DRAWING IS A CONTROLLED DOCUMENT. DIMENSIONS: mm. TOLERANCES UNLESS OTHERWISE SPECIFIED: 0 PLC ±, 1 PLC ±, 2 PLC ±, 3 PLC ±, 4 PLC ±, ANGLES ±. MATERIAL: SEE NOTE 1. FINISH: SEE NOTE 1.

OWN: B. HOLTZCLAW & WYLER. CH: J. WESTMAN. APV: S. FLICKINGER. DATE: 27 JULY 2005. PRODUCT SPEC: 108-1163-7. APPLICATION SPEC: 114-6040/114-2154. WEIGHT: -. SIZE: A1. CAGE CODE: 00779. DRAWING NO: 6339191. CUSTOMER DRAWING. SCALE: 5:1. SHEET: 1 OF 1. REV: E2.

STE TE Connectivity. INVERTED MODULAR JACK ASSEMBLY, 1x1, SHIELDED, SURFACE MOUNT, 8 POSITION, RJ45, WITH TWO LED'S.